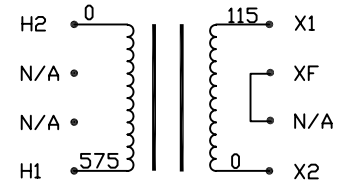
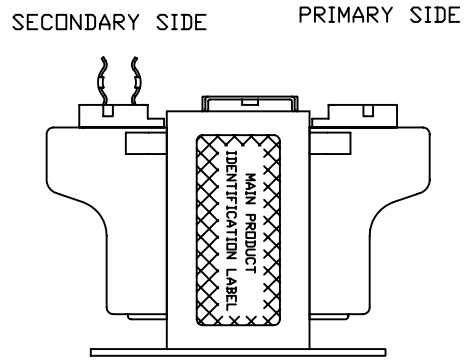
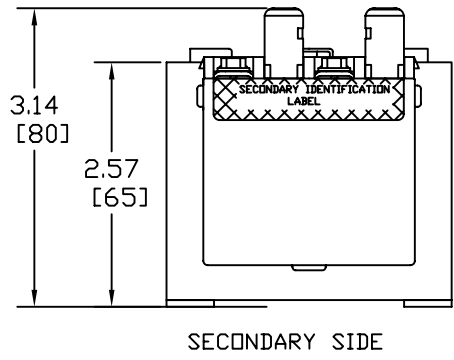


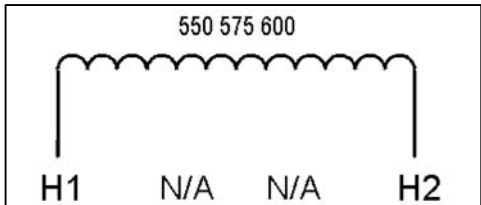
Transformer Specifications	
PRIMARY VOLTAGE(S)	575 (TRIPLE RATED)
SECONDARY VOLTAGE(S)	115
RATED V.A.	75
RATED FREQUENCY	50/60
INSULATION CLASS	105
AGENCY APPROVALS	UL, CUL
ESTIMATED WEIGHT	3.4 LBS



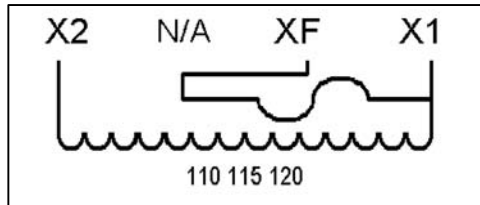
INTERNALLY JUMPERED TO FUSE TERMINAL CONNECTION DIAGRAM

- NOTE:
1. TORQUE CONNECTIONS TO 16 LB-IN.
 2. FUSE CLIPS TO ACCOMADATE 13/32-1 1/2".
 3. ALL MEASURMENTS IN INCHES(MM).

PRIMARY IDENTIFICATION LABEL



SECONDARY IDENTIFICATION LABEL



MAIN PRODUCT IDENTIFICATION LABEL

PACKAGED ACCESSORIES

1							
-	-						
-	-						
DATE	1/9/08	DRAWN	J.G.V	CHECKED		APPROVED	
RELEASE DATE		CUSTOMER PART NO.					
MICRON PART NO.							
SIZE	C	SCALE	NONE	B075WZ13XK			